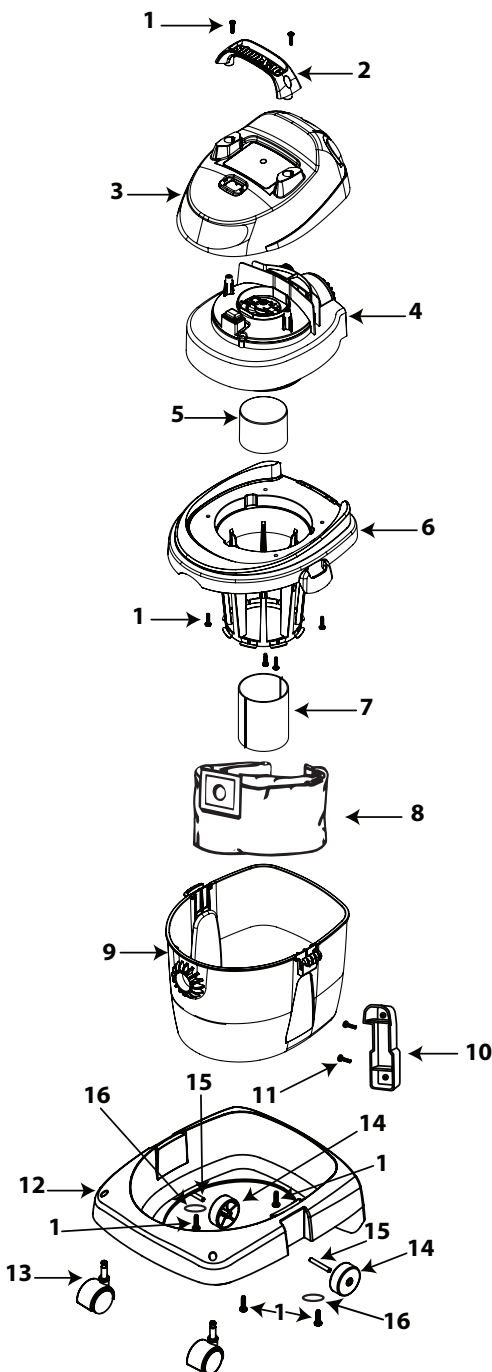


# K Series

# Model K250



ITEM	DESCRIPTION	PART NO.
1	Screw 10 X 3/4" Trilobe, Twin Lead	1516599
2	Handle	4510800
3	Motor Cover	1944744
4	Power Unit Assembly	1944554
5	Float	3545000
6	Lid Cage Assembly	1944548
7	Foam Sleeve	90585
8	Collection Bag	90668
9	Tank Assembly	1944743
10	Wall Bracket	4510910
11	Screw #10 x 1 SLT Pan HD Type AB	1501199
12	**Dolly	4512111
13	Caster	6774210
14	Wheel	4512200
15	Shaft	4512300
16	Flat Washer	0702199

\* Replacement parts may differ from original equipment.

\*\* Includes items 1, 13-16